

## Features

- Unmatched Low Cost
- Low insertion Loss
- High Channel Isolation
- High Stability, High Reliability
- Epoxy-free on Optical Path
- Latching or Non-latching

## 4x4 Mechanical Optical Switch

## Applications

- Optical Network
- Protection/Restoration
- Optical Singnal Routing
- Configurable Optical Add/Drop
- Transmitter and receiver protection
- Network Test System

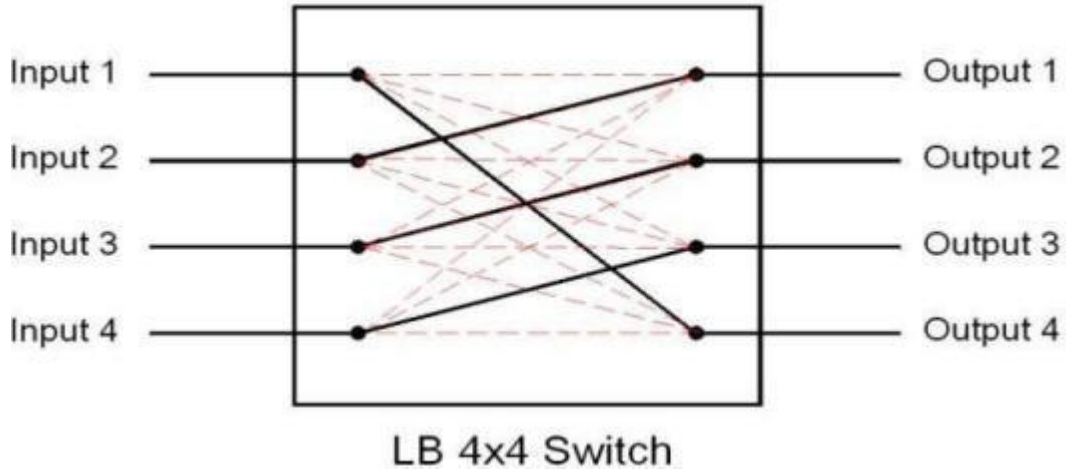
## Performance

Parameters		GZ-FSW-4x4
Operating Wavelength	nm	1260~1620(SM)、850(MM)
Insertion Loss	dB	≤1.5
Wavelength Dependent Loss	dB	≤0.40
Polarization Dependent Loss	dB	≤0.05
Temperature Dependent Loss	dB	≤0.20
Return Loss	dB	SM≥50      MM≥30
Cross Talk	dB	SM≥55      MM≥35
Switch Time	ms	≤8
Repeatability	dB	≤±0.02
Durability	times	≥10 <sup>7</sup>
Operating Voltage	V	3 or 5
Switch Type		Non-Latching/Latching
Operating Temperature	℃	-20~ +70
Storage Temperature	℃	-40~ +85
Optical Power	mW	≤500
Dimension	mm	52.7.0L×37.2W×10.0H

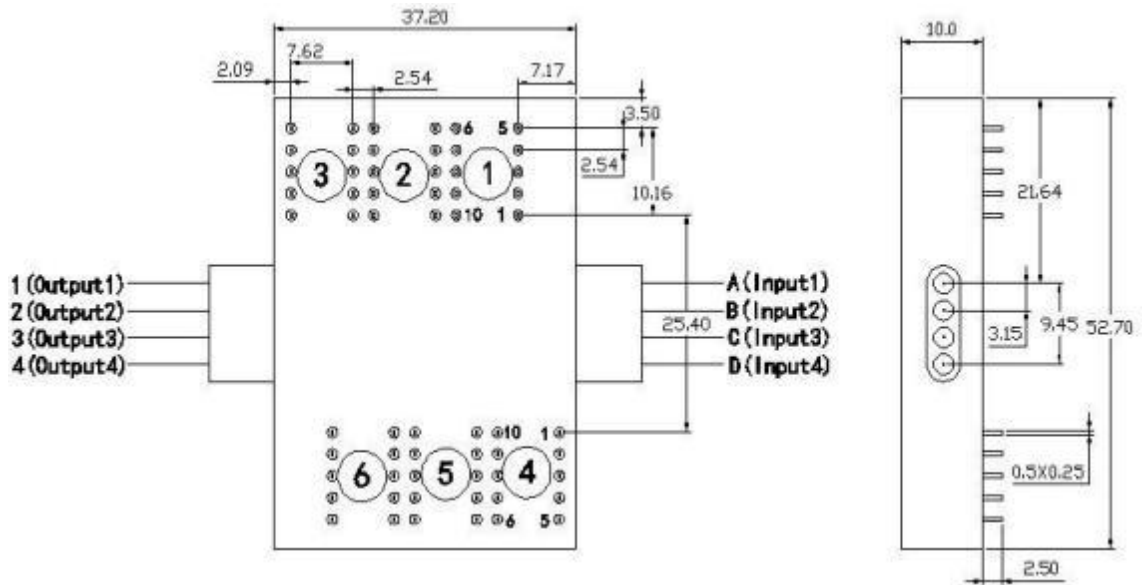
## Pins

1	A-1、B-2、C-3、D-4	7	A-2、B-1、C-3、D-4
2	A-1、B-2、C-4、D-3	8	A-2、B-1、C-4、D-3
3	A-1、B-3、C-2、D-4	9	A-2、B-3、C-1、D-4
4	A-1、B-3、C-4、D-2	10	A-2、B-3、C-4、D-1
5	A-1、B-4、C-2、D-3	11	A-2、B-4、C-1、D-3
6	A-1、B-4、C-3、D-2	12	A-2、B-4、C-3、D-1
13	A-3、B-1、C-2、D-4	19	A-4、B-1、C-2、D-3
14	A-3、B-1、C-4、D-2	20	A-4、B-1、C-3、D-2
15	A-3、B-2、C-1、D-4	21	A-4、B-2、C-1、D-3
16	A-3、B-2、C-4、D-1	22	A-4、B-2、C-3、D-1
17	A-3、B-4、C-1、D-2	23	A-4、B-3、C-1、D-2
18	A-3、B-4、C-2、D-1	24	A-4、B-3、C-2、D-1

### Optical Route



### Dimension



### Ordering Information

Mode	Wavelength	Voltage Type	Control Model	Fiber Type	Fiber Diameter	Fiber Length	Connector
S=SM M=MM	85=850nm 13/15=1310/1550nm X=Others	3=3V 5=5V	L=Latching N=Non-Latching	5=50/125 6=62.5/125 9=9/125 X=Others	25=250um 90=900um 20=2.0mm 30=3.0mm X=Others	1=1m 2=1.5m X=Others	0=None 1=FC/PC 2=FC/APC 3=SC/PC 4=SC/APC 5=ST/PC 6=ST/APC 7=LC/PC 8=LC/APC X=Others