

Optical Transceiver



100G/40G Transceiver

P/N	Product Description	Date Rate	Reach	Wavelength	Transmitter	Receiver
GQP-1KM85-Z1	QSFP28 SR4	100G	150m	850nm	VCSEL	PIN
GQP-1KS31-10	QSFP28 LR4	100G	10km	1310nm	WDM EML	PIN
GQP-1KS31-30	QSFP28 ER4 Lite	100G	30km	1310nm	WDM EML	APD
GQP-1KS31-40	QSFP28 ER4	100G	40km	1310nm	WDM EML	APD
GQP-1KS31-80	QSFP28 ZR4	100G	80km	1310nm	WDM EML	APD
GQS-4HM85-Z1	QSFP+ SR4	40G	150m	850nm	VCSEL	PIN
GQS-4HS31-10	QSFP+ LR4	40G	10km	1310nm	EML	PIN
GQS-4HS31-30	QSFP+ ER4 Lite	40G	30km	1310nm	EML	PIN
GQS-4HS31-40	QSFP+ ER4 Lite	40G	40km	1310nm	EML	PIN

25G/10G Transceiver

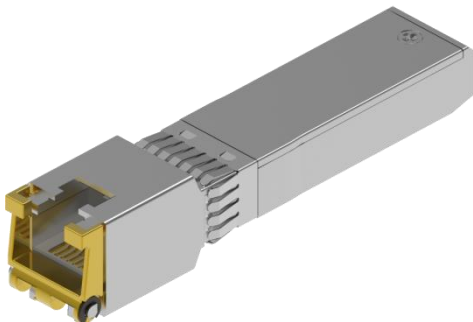
P/N	Product Description	Date Rate	Reach	Wavelength	Transmitter	Receiver
GPD-2HM85-Z1	SFP28 SR	25G	100m	850nm	VCSEL	PIN
GPD-2HS31-10	SFP28 LR	25G	10km	1310nm	DFB	PIN
GPD-2HS31-40	SFP28 ER	25G	40km	1310nm	DFB	APD
GPD-1HM85-Z3	SFP+ SR	10G	300m	850nm	VCSEL	PIN
GPD-1HM31-Z2	SFP+ LRM	10G	220m	1310nm	FP	PIN
GPD-1HS31-02	SFP+ IR	10G	2km	1310nm	FP	PIN
GPD-1HS31-10	SFP+ LR	10G	10km	1310nm	DFB	PIN
GPD-1HS55-40	SFP+ ER	10G	40km	1550nm	EML	PIN
GPD-1HS55-80	SFP+ ZR	10G	80km	1550nm	EML	APD
GPD-1HS55-T0	SFP+ ZR	10G	100km	1550nm	EML	APD
GPS-1HS32-10	SFP+ BIDI	10G	10km	1330nm	DFB	PIN
GPS-1HS23-10	SFP+ BIDI	10G	10km	1270nm	DFB	PIN
GPS-1HS32-40	SFP+ BIDI	10G	40km	1330nm	DFB	PIN
GPS-1HS23-40	SFP+ BIDI	10G	40km	1270nm	DFB	PIN
GPS-1HS32-60	SFP+ BIDI	10G	60km	1330nm	DFB	APD
GPS-1HS23-60	SFP+ BIDI	10G	60km	1270nm	DFB	APD
GPS-1HS54-80	SFP+ BIDI	10G	80km	1550nm	EML	APD
GPS-1HS45-80	SFP+ BIDI	10G	80km	1490nm	EML	APD

DWDM Transceiver

P/N	Product Description	Data Rate	Reach	Wavelength	Transmitter	Receiver
GPD-1HDxx-40	100GHz DWDM SFP+	10G	40km	CH17~CH61	EML	PIN
GPD-1HDxx-80	100GHz DWDM SFP+	10G	80km	CH17~CH61	EML	APD
GPD-1HDxx-T0	100GHz DWDM SFP+	10G	100km	CH17~CH61	EML	APD
GSD-25Dxx-80	100GHz DWDM SFP	2.5G	80km	CH17~CH61	EML	APD
GSD-25Dxx-T2	100GHz DWDM SFP	2.5G	120km	CH17~CH61	EML	APD
GSD-25Dxx-T6	100GHz DWDM SFP	2.5G	160km	CH17~CH61	EML	APD
GSD-12Dxx-80	100GHz DWDM SFP	1.25G	80km	CH17~CH61	EML	PIN
GSD-12Dxx-T2	100GHz DWDM SFP	1.25G	120km	CH17~CH61	EML	APD
GPD-1HExx-40	50GHz DWDM SFP+	10G	40km	CH17~CH61	EML	PIN
GPD-1HExx-80	50GHz DWDM SFP+	10G	80km	CH17~CH61	EML	APD
GSD-25Exx-80	50GHz DWDM SFP	2.5G	80km	CH17~CH61	EML	APD
GSD-25Exx-T2	50GHz DWDM SFP	2.5G	120km	CH17~CH61	EML	APD
GSD-12Exx-80	50GHz DWDM SFP	1.25G	80km	CH17~CH61	EML	PIN
GSD-12Exx-T2	50GHz DWDM SFP	1.25G	120km	CH17~CH61	EML	APD

CWDM Transceiver

P/N	Product Description	Data Rate	Reach	Wavelength	Transmitter	Receiver
GPD-1HCxx-40	SFP+ CWDM	10G	40km	1470~1610	EML	PIN
GPD-1HCxx-80	SFP+ CWDM	10G	80km	1470~1610	EML	APD
GPD-1HCxx-10	SFP+ CWDM	10G	10km	1270~1610	DFB	PIN
GPD-1HCxx-40	SFP+ CWDM	10G	40km	1270~1370	DFB	PIN
GPD-1HCxx-60	SFP+ CWDM	10G	60km	1270~1330	DFB	APD
GSD-25Cxx-40	CWDM SFP	2.5G	40km	1270~1610	DFB	PIN
GSD-25Cxx-80	CWDM SFP	2.5G	80km	1270~1610	DFB	APD
GSD-25Cxx-T2	CWDM SFP	2.5G	120km	1270~1610	DFB	APD
GSD-12Cxx-40	CWDM SFP	1.25G	40km	1270~1610	DFB	PIN
GSD-12Cxx-80	CWDM SFP	1.25G	80km	1270~1610	DFB	PIN
GSD-12Cxx-T2	CWDM SFP	1.25G	120km	1270~1610	DFB	APD
GSD-12Cxx-T6	CWDM SFP	1.25G	160km	1470~1610	DFB	APD

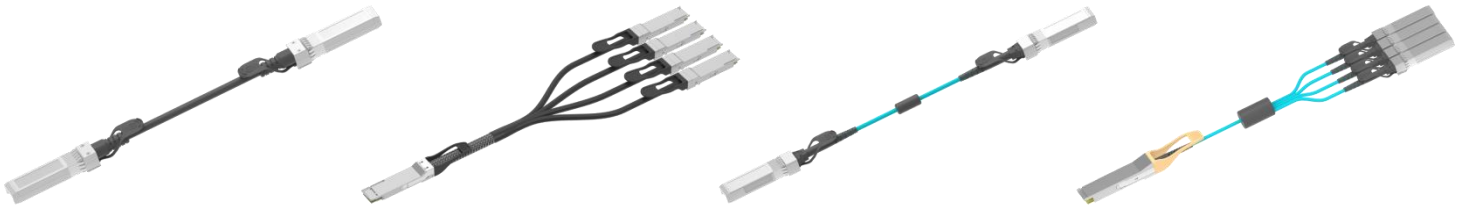


Copper SFP

P/N	Description	Data Rate	Reach
GS-T1	Copper SFP	1000M	100m
GS-T2	Copper SFP	10/100/1000M	100m
GP-T1	Copper SFP+	10G	30m

1.25G Transceiver

P/N	Product Description	Date Rate	Reach	Wavelength	Transmitter	Receiver
GSD-12M85-Z5	SFP SX	1.25G	550m	850nm	VCSEL	PIN
GSD-12S31-20	SFP LX	1.25G	20km	1310nm	FP	PIN
GSD-12S31-40	SFP EX	1.25G	40km	1310nm	DFB	PIN
GSD-12S31-80	SFP ZX	1.25G	80km	1550nm	DFB	PIN
GSD-12S31-T2	SFP ZX	1.25G	120km	1550nm	DFB	APD
GSD-12S31-T6	SFP ZX	1.25G	160km	1550nm	DFB	APD
GSD-12S35-03	BIDI SFP	1.25G	3km	1310nm	FP	PIN
GSS-12S53-03	BIDI SFP	1.25G	3km	1550nm	FP	PIN
GSS-12S35-20	BIDI SFP	1.25G	20km	1310nm	FP	PIN
GSS-12S53-20	BIDI SFP	1.25G	20km	1550nm	DFB	PIN
GSS-12S35-40	BIDI SFP	1.25G	40km	1310nm	DFB	PIN
GSS-12S53-40	BIDI SFP	1.25G	40km	1550nm	DFB	PIN
GSS-12S45-80	BIDI SFP	1.25G	80km	1490nm	DFB	PIN
GSS-12S54-80	BIDI SFP	1.25G	80km	1550nm	DFB	PIN
GSS-12S45-T2	BIDI SFP	1.25G	120km	1490nm	DFB	APD
GSS-12S54-T2	BIDI SFP	1.25G	120km	1550nm	DFB	APD



DAC Series

P/N	Product Description	Date Rate	Reach
GQS-1KDAC-xx	100G QSFP28 to 4xSFP28 DAC	100G	1M~5M
GQ-1KDAC-xx	100G QSFP28 DAC	100G	1M~5M
GQS-4HDAC-xx	40G QSFP+ to 4xSFP+ DAC	40G	1M~5M
GQ-4HDAC-xx	40G QSFP+ DAC	40G	1M~5M
GP-2HDAC-xx	25G SFP28 DAC	25G	1M~5M
GP-1HDAC-xx	10G SFP+ DAC	10G	1M~15M

AOC Series

P/N	Product Description	Date Rate	Reach
GQS-1KAOC-xx	100G QSFP28 to 4xSFP28 AOC	100G	1M~150M
GQ-1KAOC-xx	100G QSFP28 AOC	100G	1M~150M
GQS-4HAOC-xx	40G QSFP+ to 4xSFP+ AOC	40G	1M~150M
GQ-4HAOC-xx	40G QSFP+ AOC	40G	1M~150M
GP-2HAOC-xx	25G SFP28 AOC	25G	1M~150M
GP-1HAOC-xx	10G SFP+ AOC	10G	1M~150M